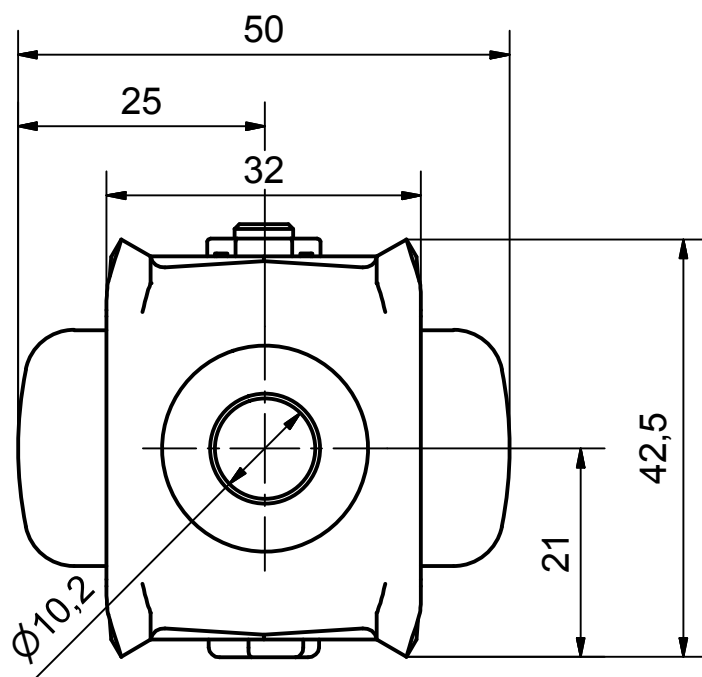
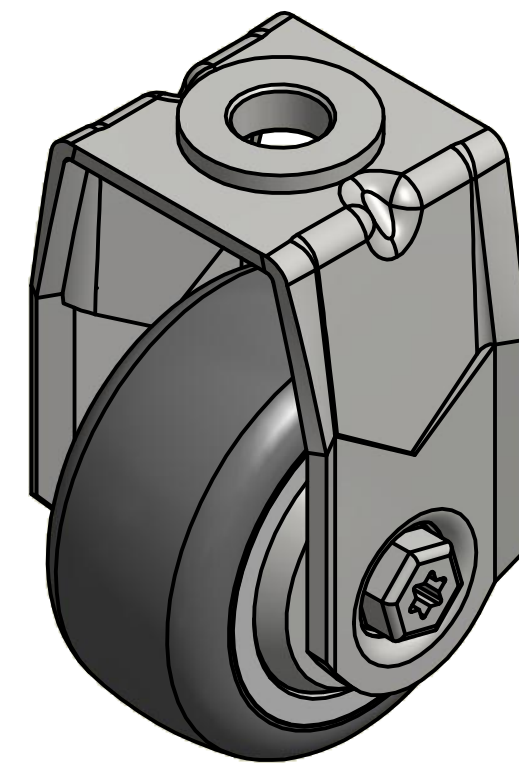
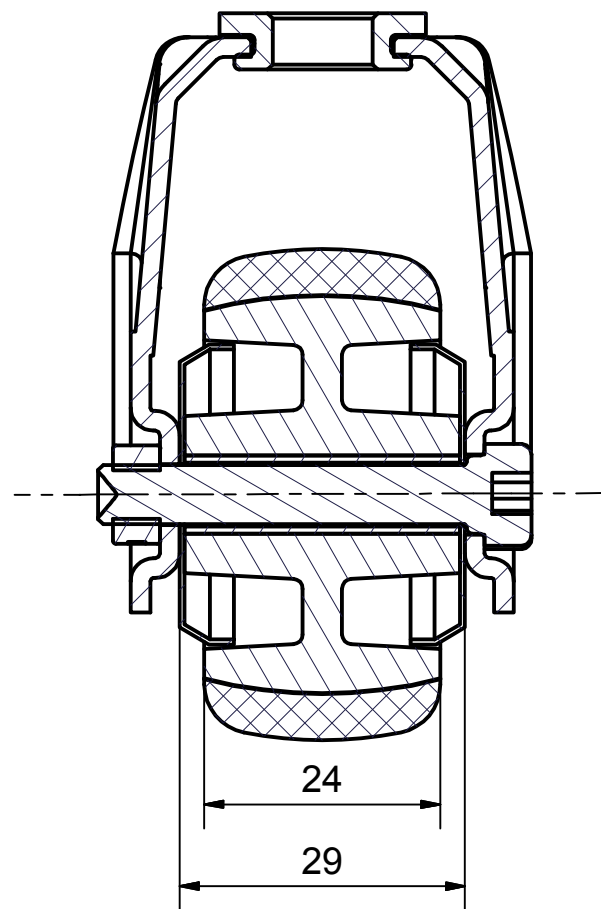



SECTION A-A'



Load Capacity: 50kg, for speed up to 4km/h
(According to EN 12530)

 PRODUCTION OF INSTITUTIONAL CASTORS AND WHEELS THESSALONIKI - GREECE	PERMIS. VARIATIONS:		PART No:
	SURFACE FINISH :		UNF . DIM.:
This drawing is the property of RODA S.A. It must neither be reproduced in any manner nor shall it be submitted to third parties or competitors without our written consent	DESIGNED	24/6/2013	E.POLIMEROPOULOU
	DRAWN	24/6/2013	E.POLIMEROPOULOU
	CHECKED	24/6/2013	H.SAATZOGLU
			PART NAME : M.050.TPA.HFG
			PART DESCRIPTION : Fixed castor, steel support, bolt hole fitting (10,2mm).Wheel 50x24mm,non marking grey rubber (82shA) plain bearing,steel threa
C3			DRAWING NUMBER :
B2			SHEET No.
A1			
A/A			
QUANTITY		SCALE	
REPLACE :		GEN. DWG. NUM. :	