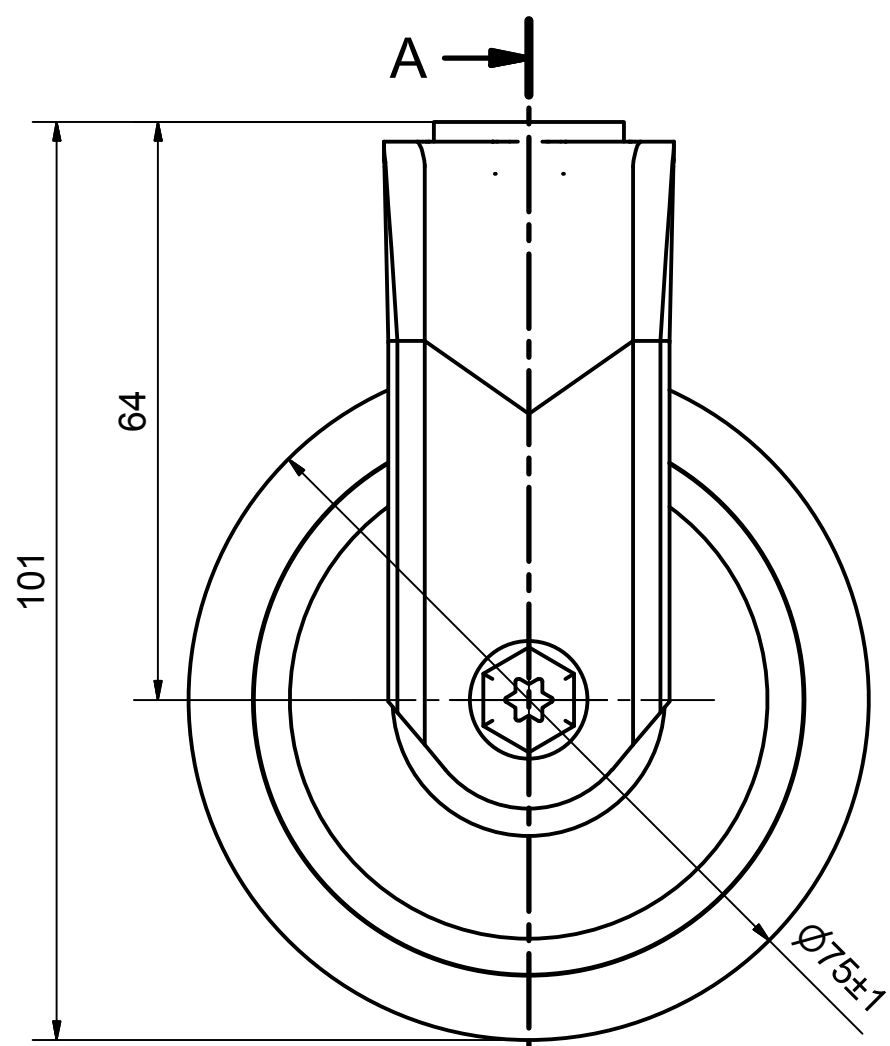
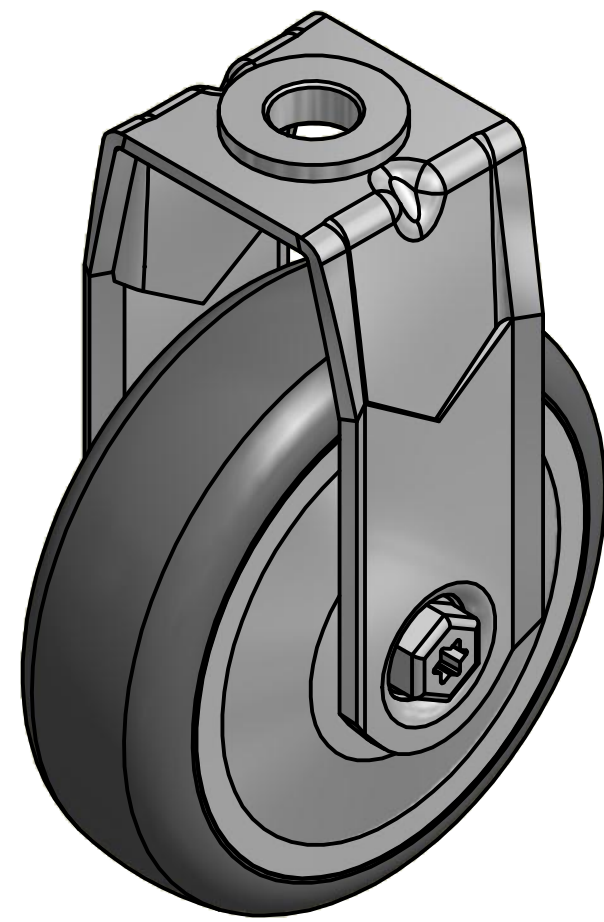
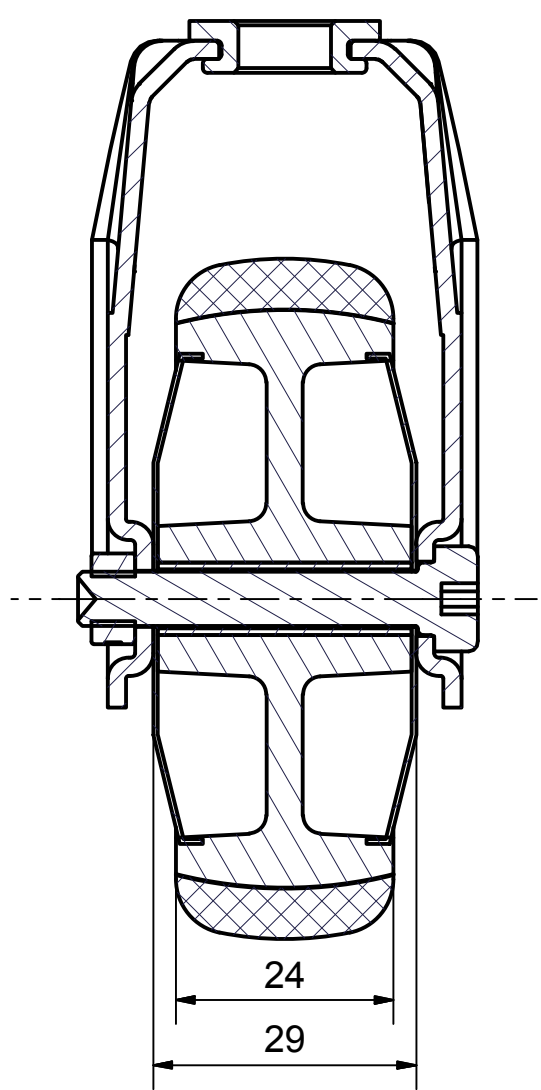


6 5 4 3 2 1

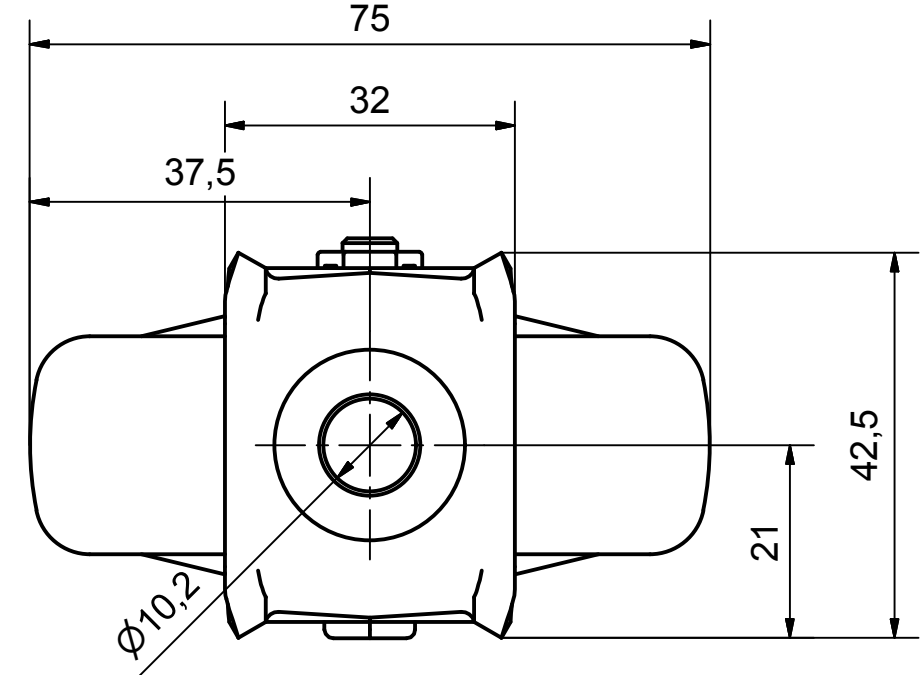
D
C
B
A




SECTION A-A'



Load Capacity: 60kg, for speed up to 4km/h
(According to EN 12530)



 PRODUCTION OF INSTITUTIONAL CASTORS AND WHEELS THESSALONIKI - GREECE	PERMIS. VARIATIONS:		PART No:	
	SURFACE FINISH:		UNF . DIM.:	
This drawing is the property of RODA S.A. It must neither be reproduced in any manner nor shall it be submitted to third parties or competitors without our written consent	DESIGNED 3/7/2013 E.POLIMEROPOULOU	PART NAME : MX.075.TPA.HFGX		
	DRAWN 3/7/2013 E.POLIMEROPOULOU	PART DESCRIPTION : Fixed castor, stainless support, bolt hole fitting (10,2mm).Wheel 75x24mm,non marking grey rubber (82shA) plain bearing,stainle		
	CHECKED 3/7/2013 H.SAATZOGLU	DRAWING NUMBER :		
C3 B2 A1 A/A	QUANTITY REPLACE :	SCALE	SHEET No.	
		GEN. DWG. NUM. :		

6 5 4 3 2 1