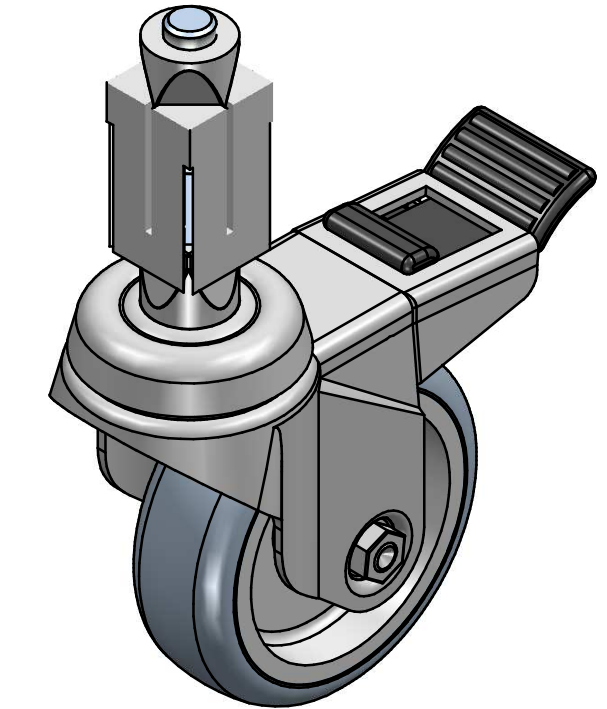
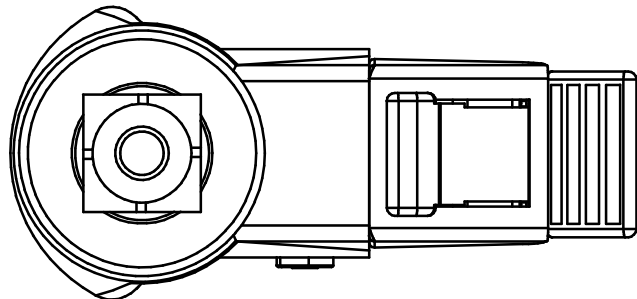



EQ-21/24  
EQ-24/27  
EQ-27/31  
EQ-31/35



M Series			
A (mm)	B (mm)	C (mm)	D (mm)
50	73,5	25	86
75	101	30,5	91
100	123,5	40	101
125	148,5	43	104



	PRODUCTION OF INSTITUTIONAL CATRORS AND WHEELS		PERMIS. VARIATIONS:	PART No.:
	THESSALONIKI - GREECE		SURFACE FINISH:	UNF. DIM.:
This drawing is the property of RODA S.A. It must neither be reproduced in any manner nor shall it be submitted to third parties or competitors without our written consent			DESIGNED 21/2/2011 RanaD DRAWN 21/2/2011 RanaD CHECKED 21/2/2011	MATERIAL:
C3 B2 A1 A/A	QUANTITY REPLACE	SCALE	PART DESCRIPTION : <b>M Series</b> <b>EQSBK:Expander Square Brake</b>	
			DRAWING	SHEET No.
			GEN. DWG. NUM.:	