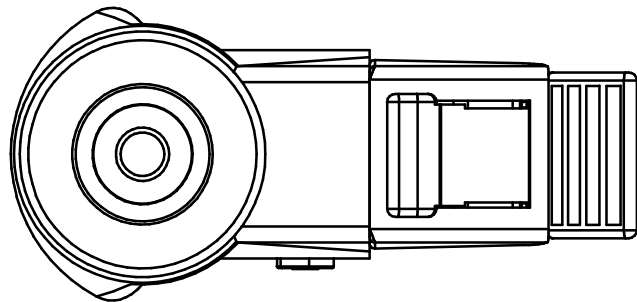
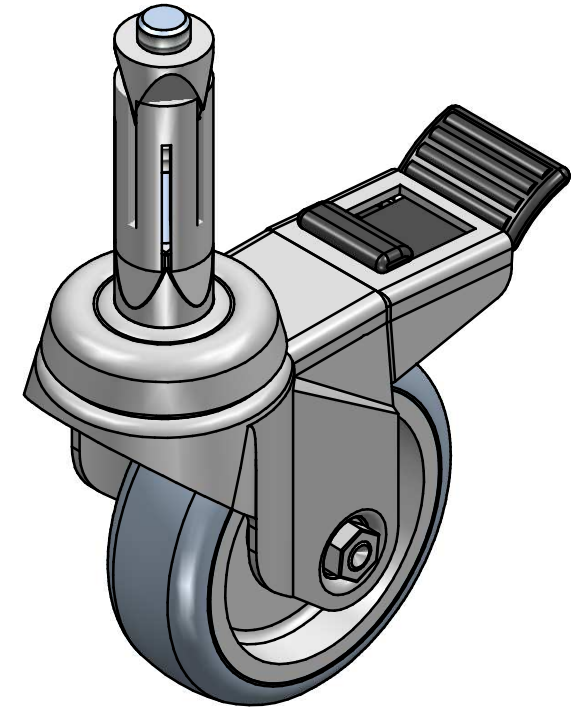



M Series			
A (mm)	B (mm)	C (mm)	D (mm)
50	73,5	25	86
75	101	30,5	91
100	123,5	40	101
125	148,5	43	104



 PRODUCTION OF INSTITUTIONAL CATRORS AND WHEELS THESSALONIKI - GREECE	PERMIS. VARIATIONS:	PART No.:	
	SURFACE FINISH:	UNF. DIM.:	
This drawing is the property of RODA S.A. It must neither be reproduced in any manner nor shall it be submitted to third parties or competitors without our written consent	DESIGNED 21/2/2011 ALISANDRATOS S.	MATERIAL:	
	DRAWN 21/2/2011 ALISANDRATOS S.	PART DESCRIPTION:	
	CHECKED 21/2/2011	<b>M Series</b> <b>ERSBK: Expander Round Brake</b>	
C3	QUANTITY	DRAWING	SHEET No.
B2	REPLACE	SCALE	GEN. DWG. NUM.:
A1			
A/A			