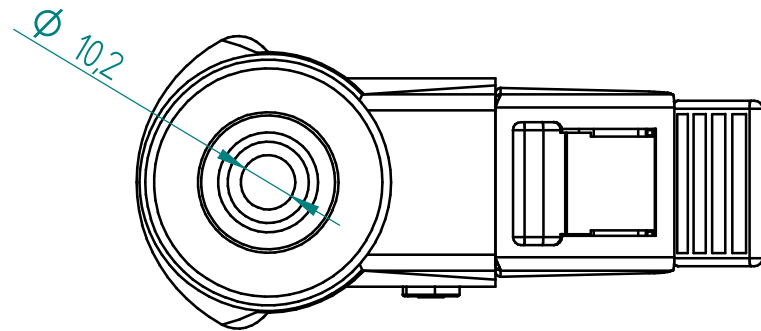



M Series			
A (mm)	B (mm)	C (mm)	D (mm)
50	73,5	25	86
75	101	30,5	91
100	123,5	40	101
125	148,5	43	104



	PRODUCTION OF INSTITUTIONAL CATRORS AND WHEELS THESSALONIKI - GREECE		PERMIS. VARIATIONS:	PART No.:
	This drawing is the property of RODA S.A. It must neither be reproduced in any manner nor shall it be submitted to third parties or competitors without our written consent		SURFACE FINISH:	UNF. DIM.:
DESIGNED 22/7/2010 ALISANDRATOS S. DRAWN 22/7/2010 ALISANDRATOS S. CHECKED 22/7/2010		MATERIAL:		PART DESCRIPTION : M Series HSBK: Bolt Hole Brake
C3 B2 A1 A/A	QUANTITY REPLACE	SCALE	DRAWING	SHEET No.
			GEN. DWG. NUM.:	