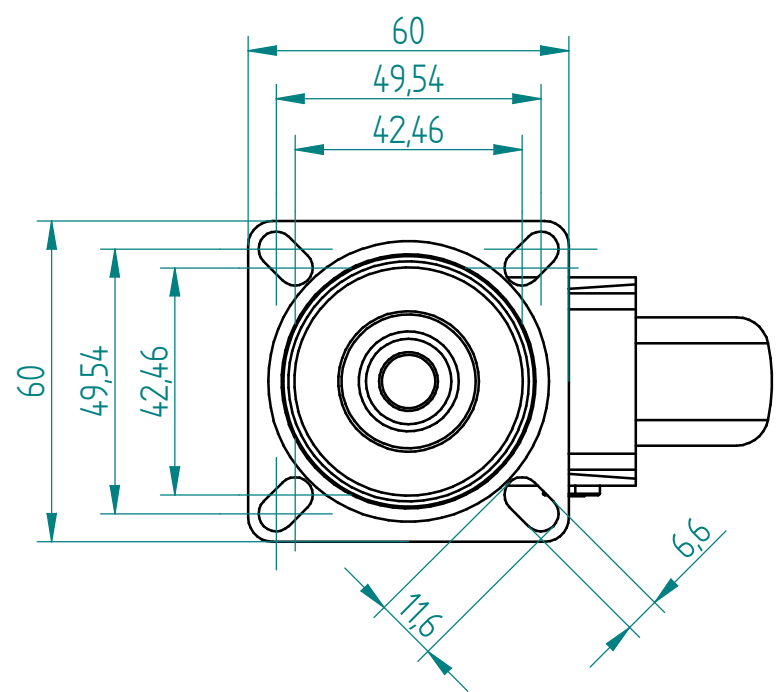
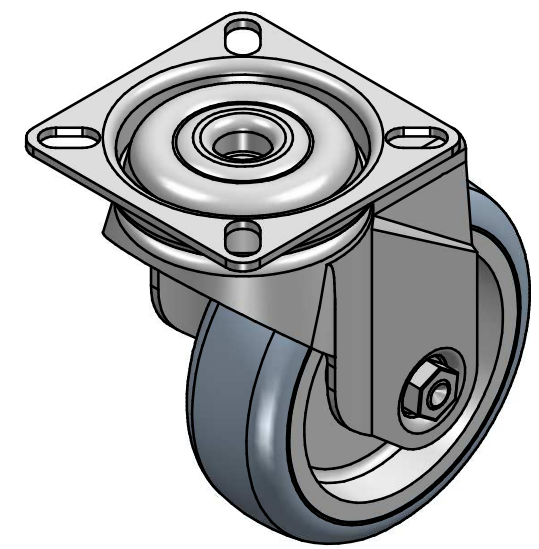
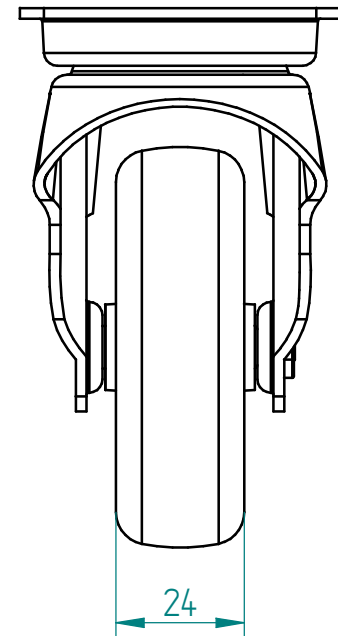
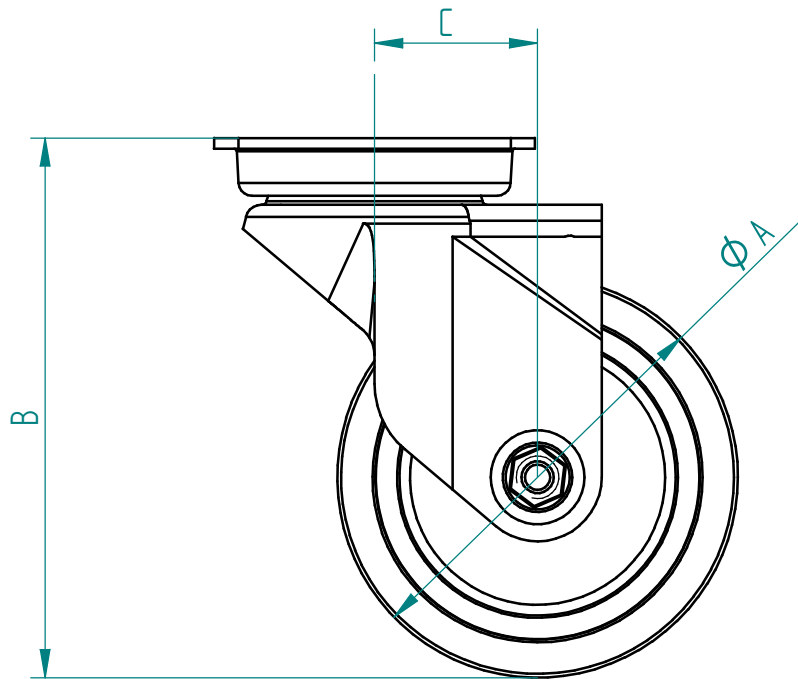



M Series		
A (mm)	B (mm)	C (mm)
50	73,5	25
75	101	30,5
100	123,5	40
125	148,5	43



 <b>PRODUCTION OF INSTITUTIONAL CASTORS AND WHEELS</b> <b>THESSALONIKI - GREECE</b>	PERMIS. VARIATIONS:	PART No:
	SURFACE FINISH:	UNF. DIM.:
This drawing is the property of RODA S.A. It must neither be reproduced in any manner nor shall it be submitted to third parties or competitors without our written consent	DESIGNED 22/7/2010 RodaD	MATERIAL:
	DRAWN 22/7/2010 RodaD	PART DESCRIPTION :
	CHECKED 22/7/2010	<b>M Series</b> <b>TS:Top Plate</b>
C3 B2 A1 A/A	QUANTITY REPLACE	DRAWING GEN. DWG. NUM.:
	SCALE	SHEET No.