

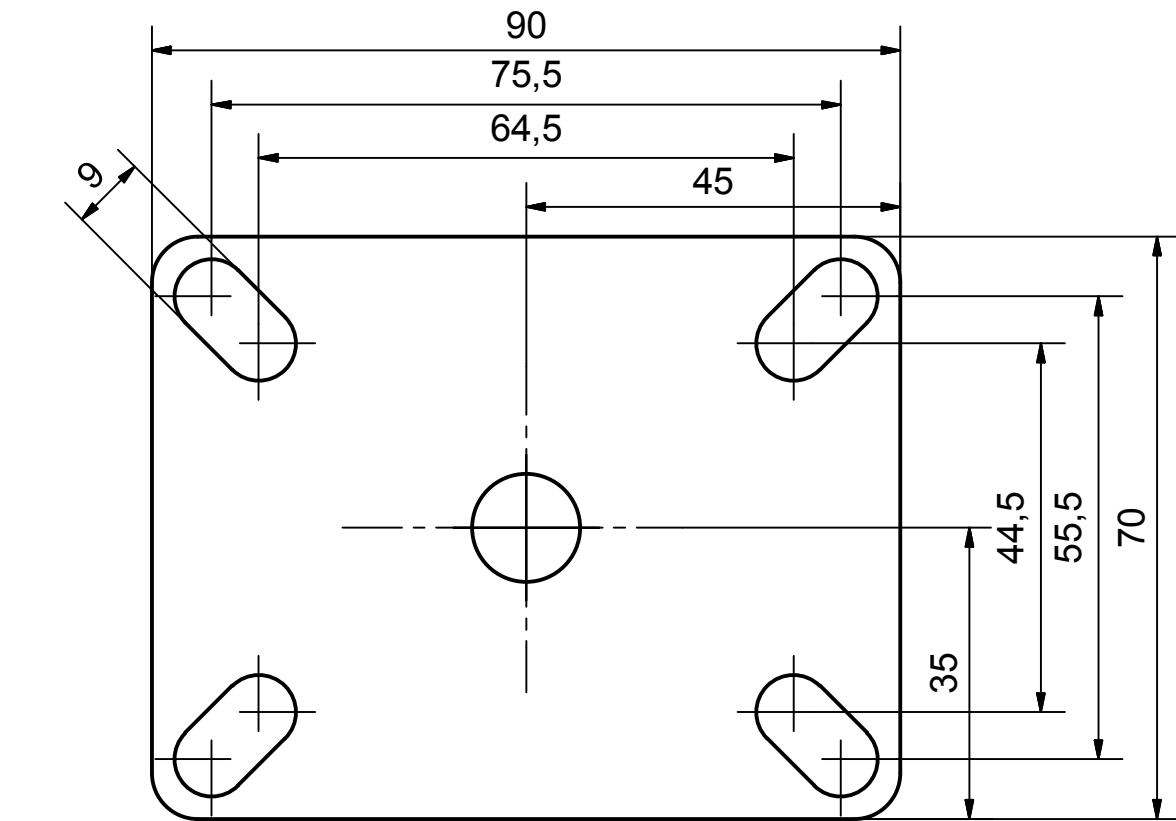
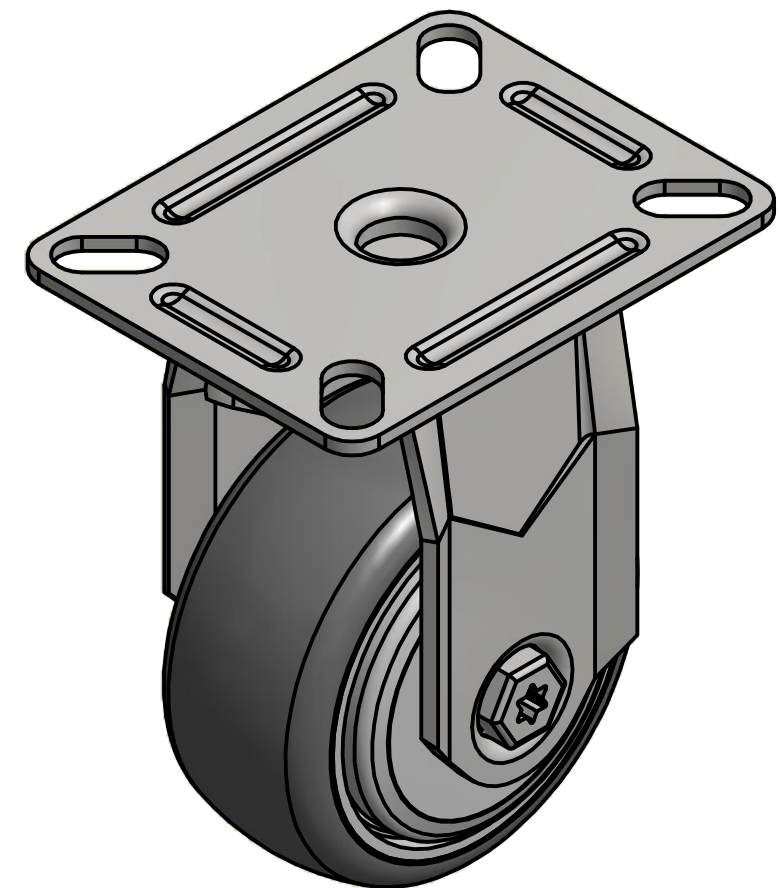
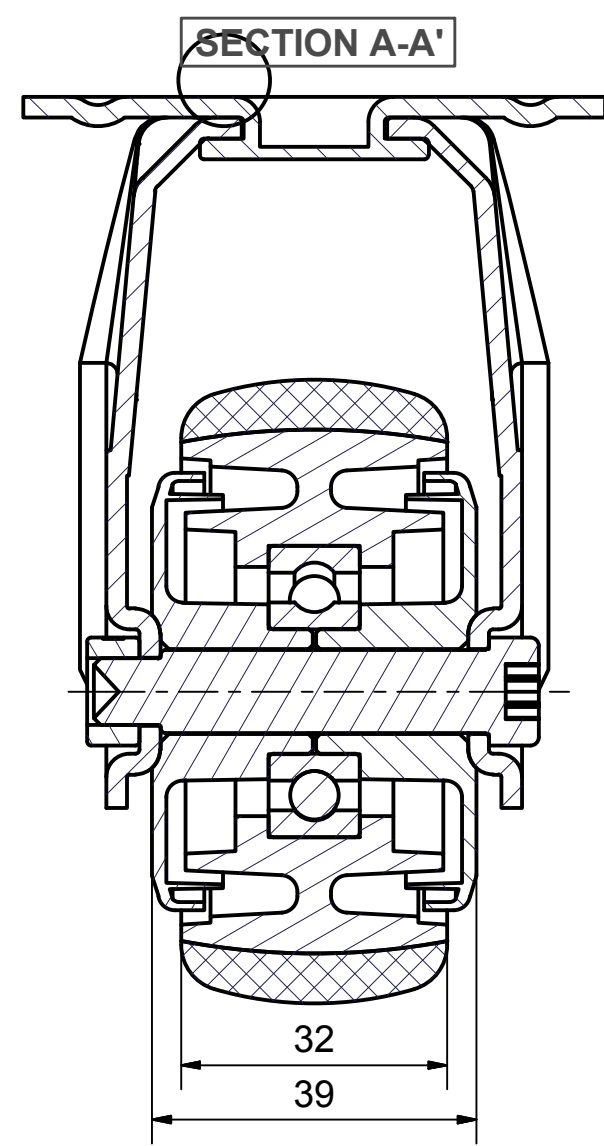
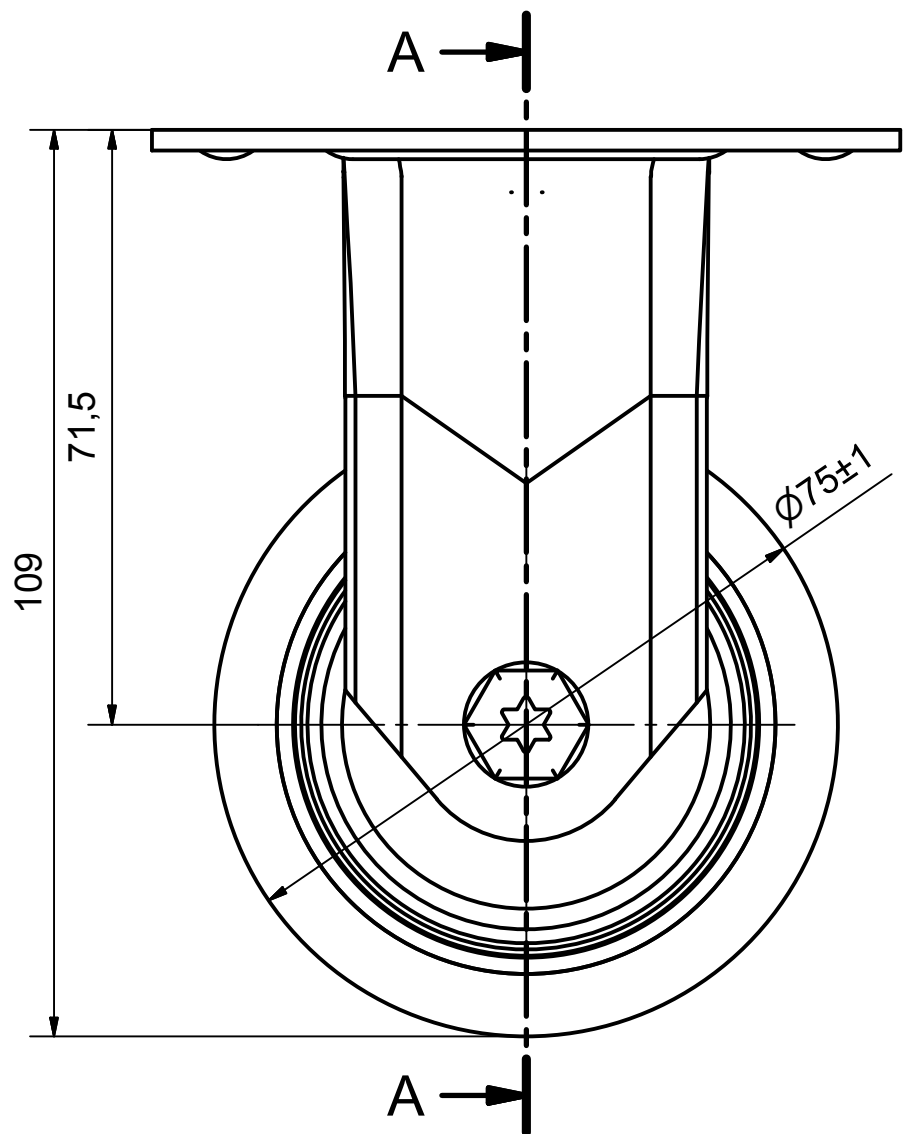
6 5 4 3 2 1

D


C

B

A



Load Capacity: 70kg, for speed up to 4km/h
(According to EN 12530)

 PRODUCTION OF INSTITUTIONAL CASTORS AND WHEELS THESSALONIKI - GREECE	PERMIS. VARIATIONS:		PART No:
	SURFACE FINISH:		UNF . DIM.:
This drawing is the property of RODA S.A. It must neither be reproduced in any manner nor shall it be submitted to third parties or competitors without our written consent	DESIGNED	16/7/2013	E.POLIMEROPOULOU
	DRAWN	16/7/2013	E.POLIMEROPOULOU
	CHECKED	16/7/2013	H.SAATSOGLOU
PART DESCRIPTION : Fixed castor, steel support, top plate fitting.Wheel 75x32mm,non marking grey rubber (82shA) single precision bearing,plastic t			PART NAME : S.075.TPS.TFGP
C3			DRAWING NUMBER :
B2			SHEET No.
A1			
A/A			
QUANTITY		SCALE	
REPLACE :		GEN. DWG. NUM. :	

6 5 4 3 2 1