

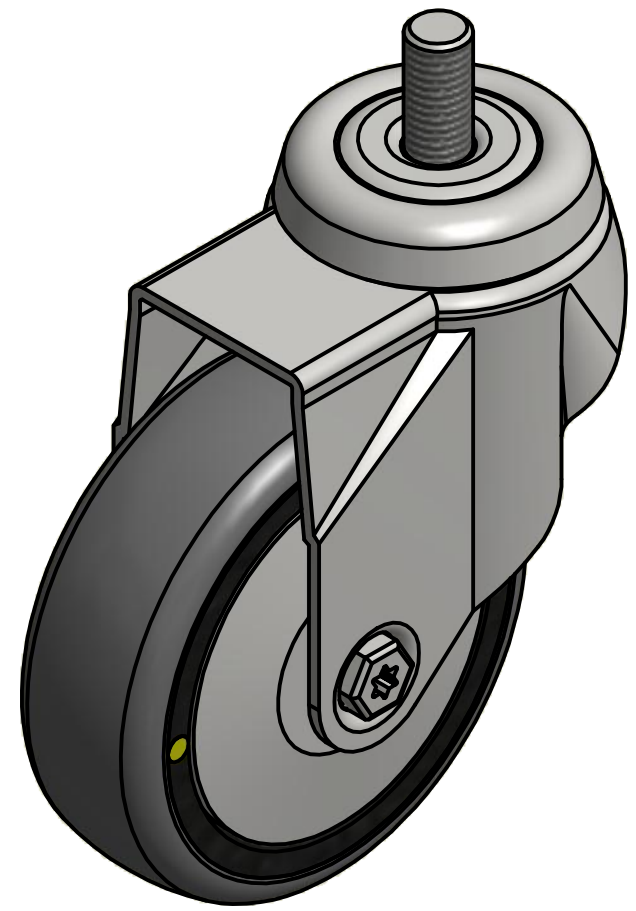
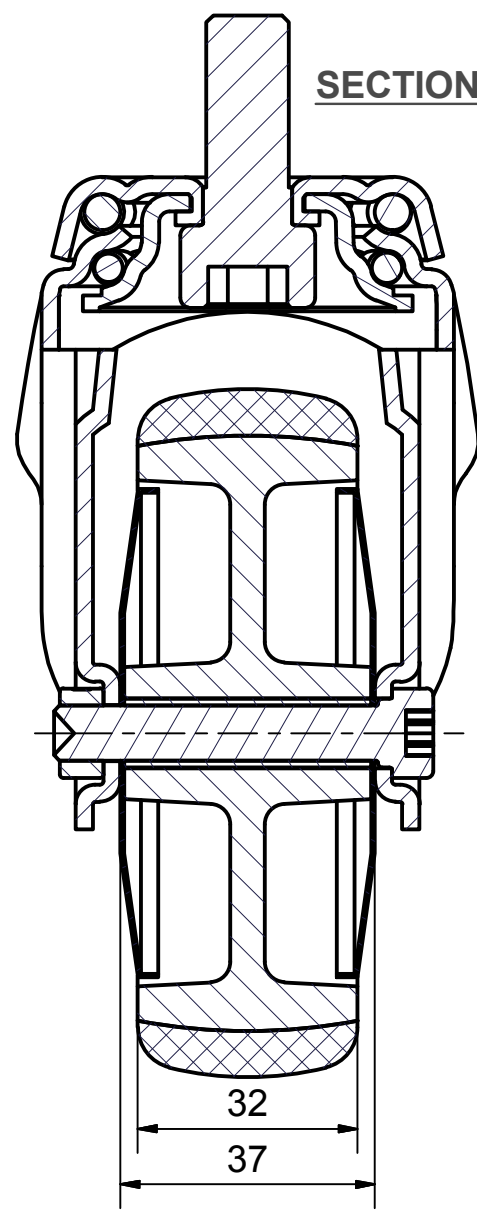
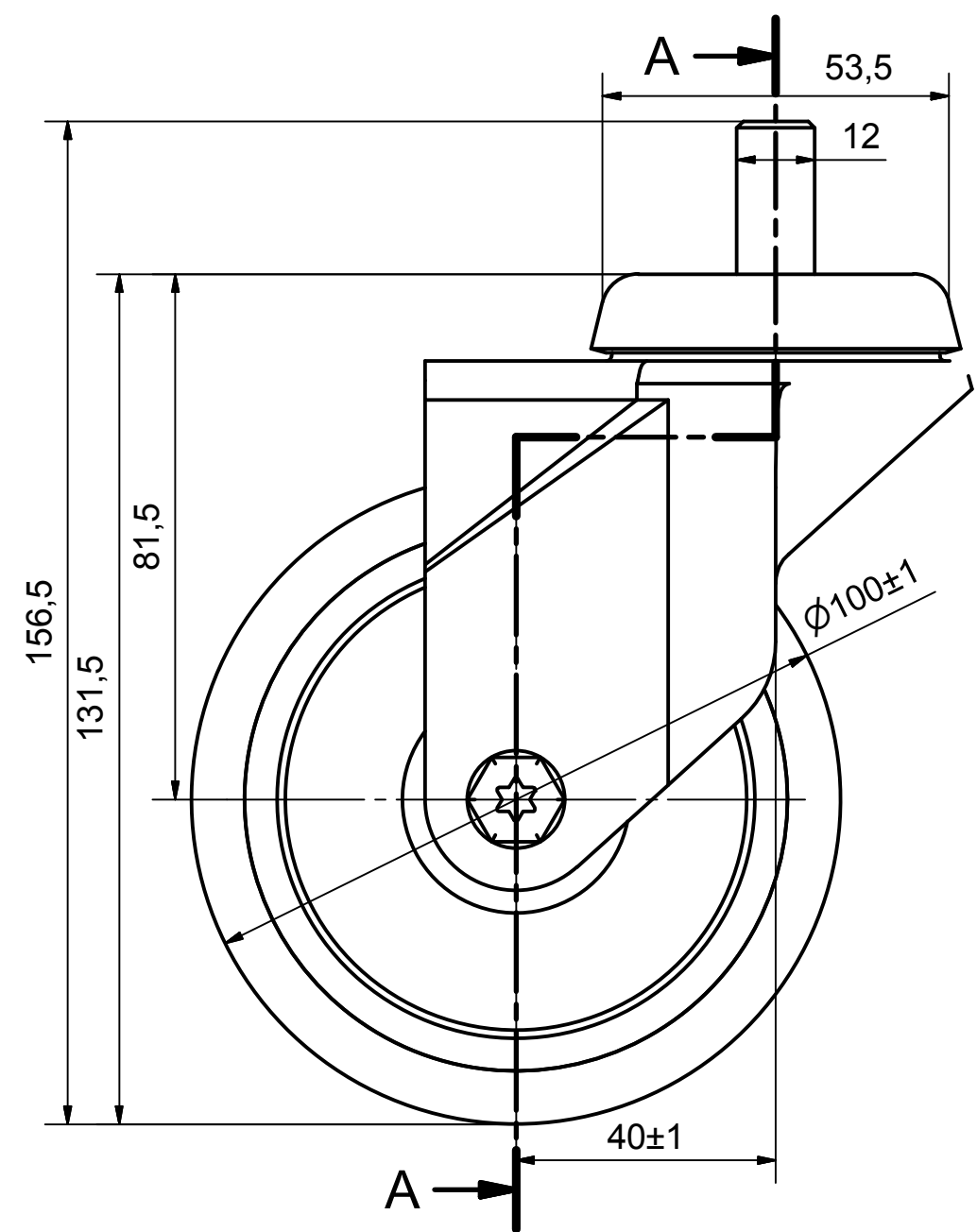
6 5 4 3 2 1

D

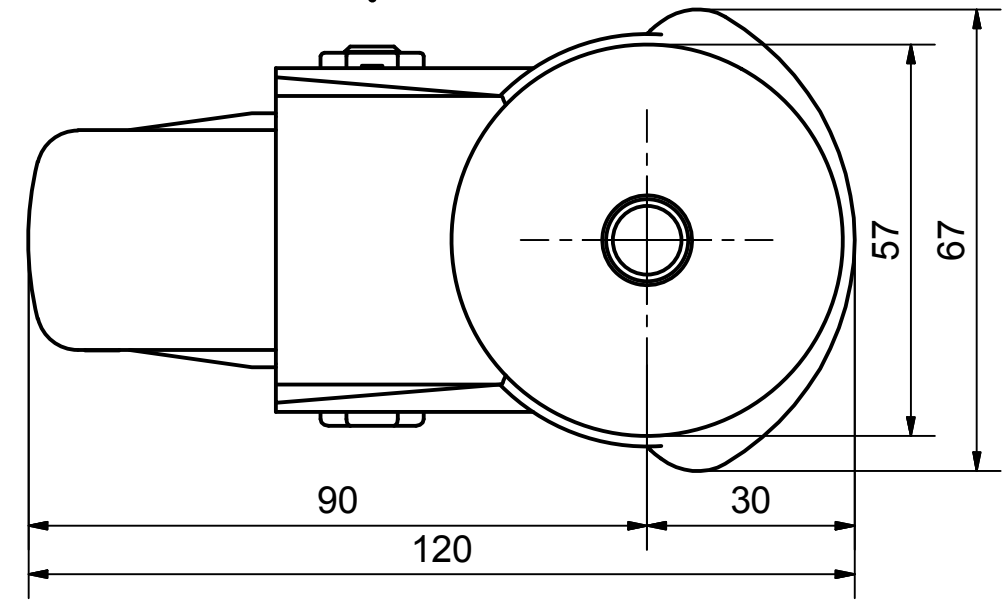
C

B

A



Load Capacity: 90kg, for speed up to 4km/h
(According to EN 12530)




6 5 4 3 2 1

D

C

B

A

 PRODUCTION OF INSTITUTIONAL CASTORS AND WHEELS THESSALONIKI - GREECE	PERMIS. VARIATIONS:		PART No:
	SURFACE FINISH :		UNF . DIM.:
This drawing is the property of RODA S.A. It must neither be reproduced in any manner nor shall it be submitted to third parties or competitors without our written consent	DESIGNED	24/7/2013	E.POLIMEROPOULOU
	DRAWN	24/7/2013	E.POLIMEROPOULOU
	CHECKED	24/7/2013	H.SAATSOGLU
PART DESCRIPTION : Swivel castor, steel support, bolt stem M12X25mm.Wheel 100x32mm,electric conductive non marking grey rubber (82shA) plain beari			PART NAME : S.100.CPA.BSG
DRAWING NUMBER :		QUANTITY	SCALE
SHEET No.		REPLACE :	GEN. DWG. NUM. :