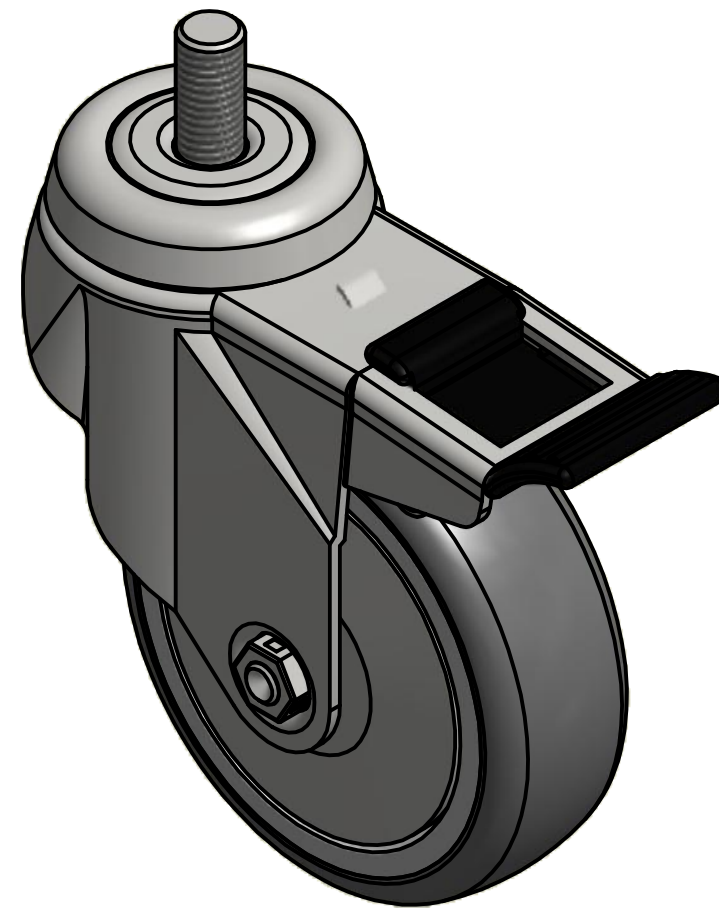
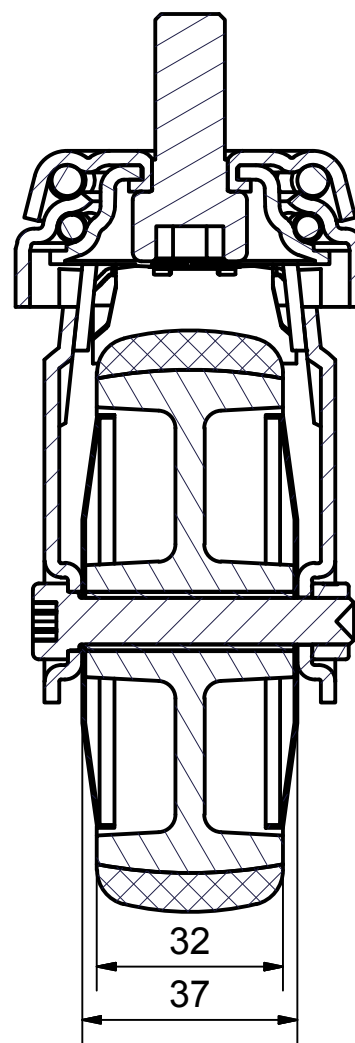
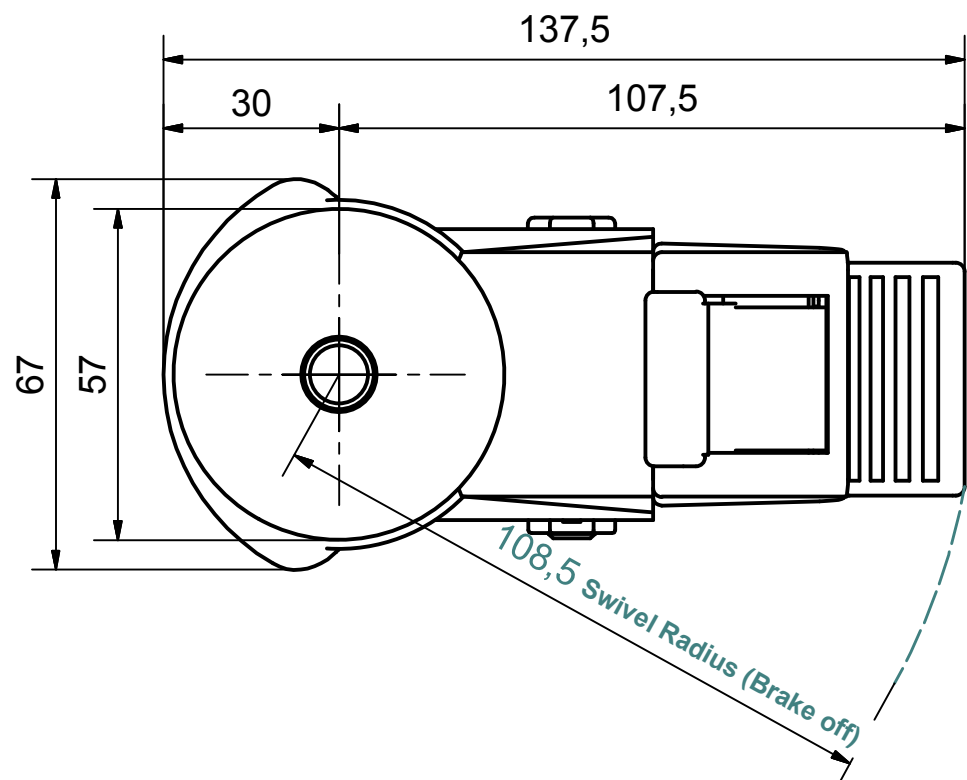


DETAIL i (Brake on)


SECTION A-A'



Load Capacity: 90kg, for speed up to 4km/h
(According to EN 12530)



108,5 Swivel Radius (Brake off)

 PRODUCTION OF INSTITUTIONAL CASTORS AND WHEELS THESSALONIKI - GREECE	PERMIS. VARIATIONS:		PART No:
	SURFACE FINISH:		UNF . DIM.:
This drawing is the property of RODA S.A. It must neither be reproduced in any manner nor shall it be submitted to third parties or competitors without our written consent	DESIGNED 24/7/2013 E.POLIMEROPOULOU	PART NAME : S.100.TPA.BSBKG	
	DRAWN 24/7/2013 E.POLIMEROPOULOU	PART DESCRIPTION : Swivel+brake castor, steel support, bolt stem M12X25mm.Wheel 100x32mm,non marking grey rubber (82shA) plain bearing,steel threa	
	CHECKED 24/7/2013 H.SAATSOGLOU	DRAWING NUMBER :	
C3 B2 A1 A/A	QUANTITY REPLACE :	SCALE	SHEET No.
		GEN. DWG. NUM. :	