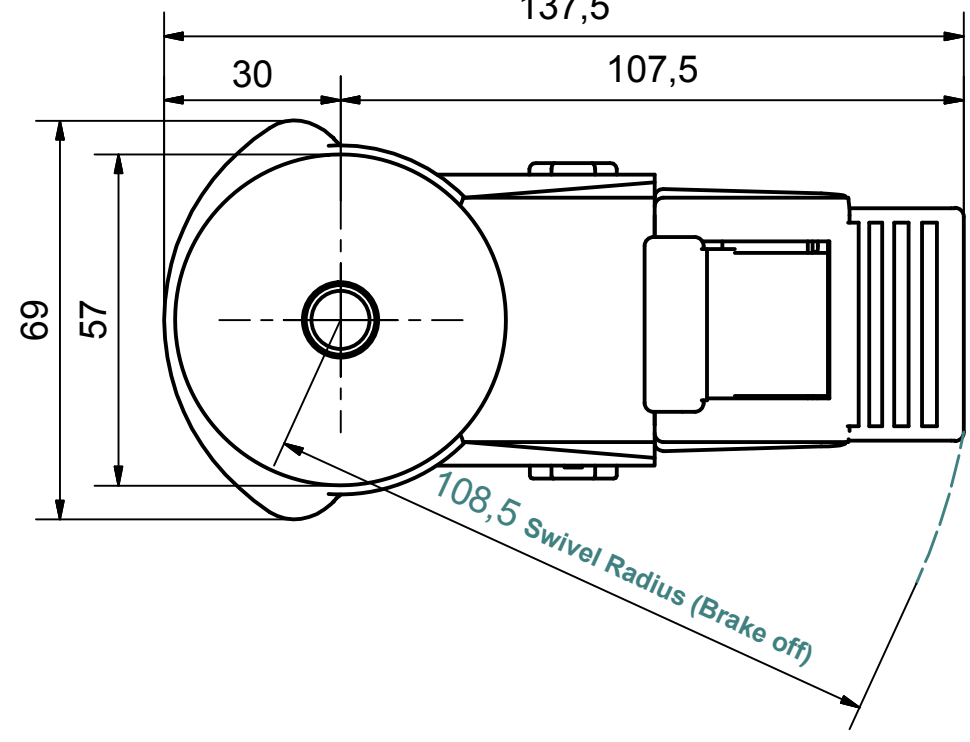



**Load Capacity: 100kg, for speed up to 4km/h
(According to EN 12530)**



	PRODUCTION OF INSTITUTIONAL CASTORS AND WHEELS THESSALONIKI - GREECE			PERMIS. VARIATIONS:	PART No:
	This drawing is the property of RODA S.A. It must neither be reproduced in any manner nor shall it be submitted to third parties or competitors without our written consent			SURFACE FINISH :	UNF . DIM.:
DESIGNED 29/7/2013 E.POLIMEROPOULOU DRAWN 29/7/2013 E.POLIMEROPOULOU CHECKED 29/7/2013 H.SAATSOGLOU				PART NAME :	S.125.TPA.BSBK
PART DESCRIPTION : Swivel+brake castor, steel support, bolt stem M12X25mm.Wheel 125x32mm,non marking grey rubber (82shA) plain bearing					DRAWING NUMBER :
C3 B2 A1 A/A	QUANTITY REPLACE :	SCALE	GEN. DWG. NUM. :	SHEET No.	