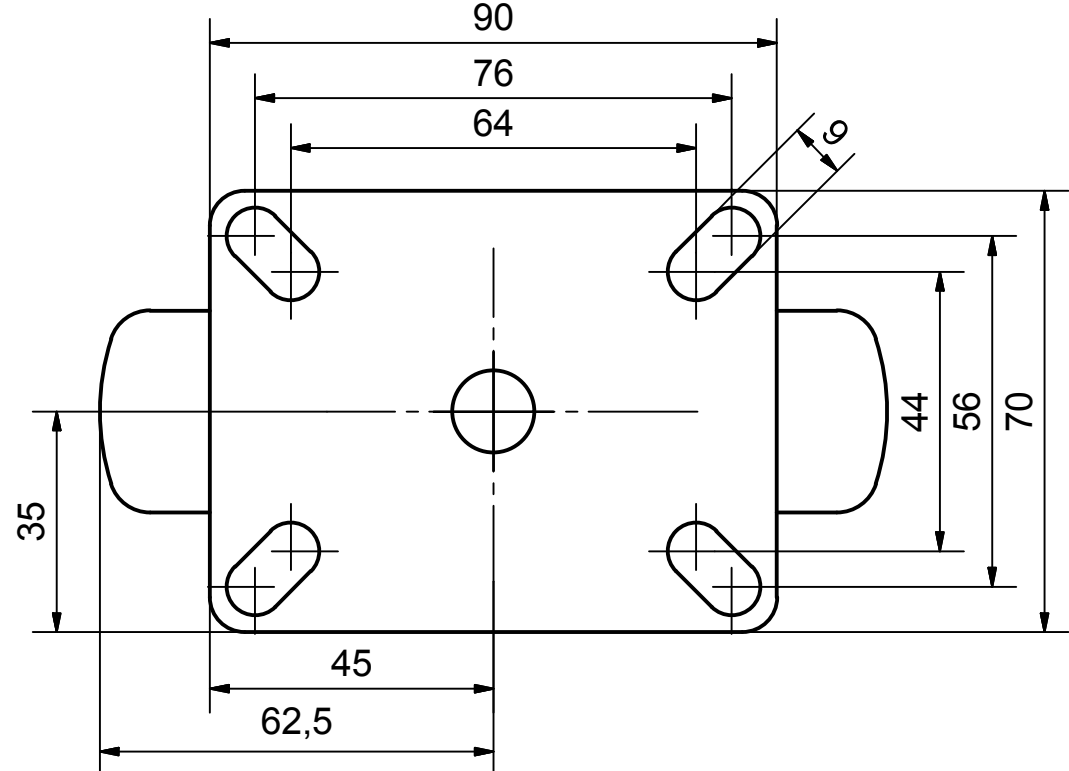



**Load Capacity: 100kg, for speed up to 4km/h  
(According to EN 12530)**



 <b>PRODUCTION OF INSTITUTIONAL CASTORS AND WHEELS</b> <b>THESSALONIKI - GREECE</b>	PERMIS. VARIATIONS:		PART No:
	SURFACE FINISH:		UNF . DIM.:
This drawing is the property of RODA S.A. It must neither be reproduced in any manner nor shall it be submitted to third parties or competitors without our written consent	DESIGNED 26/7/2013 E.POLIMEROPOULOU DRAWN 26/7/2013 E.POLIMEROPOULOU CHECKED 26/7/2013 H.SAATSOGLOU	PART NAME : <b>S.125.TPA.TF</b>	PART DESCRIPTION : <b>Fixed castor, steel support, top plate fitting.Wheel 125x32mm,non marking grey rubber (82shA) plain bearing</b>
C3 B2 A1 A/A	QUANTITY REPLACE :	SCALE	DRAWING NUMBER : SHEET No.
		GEN. DWG. NUM. :	