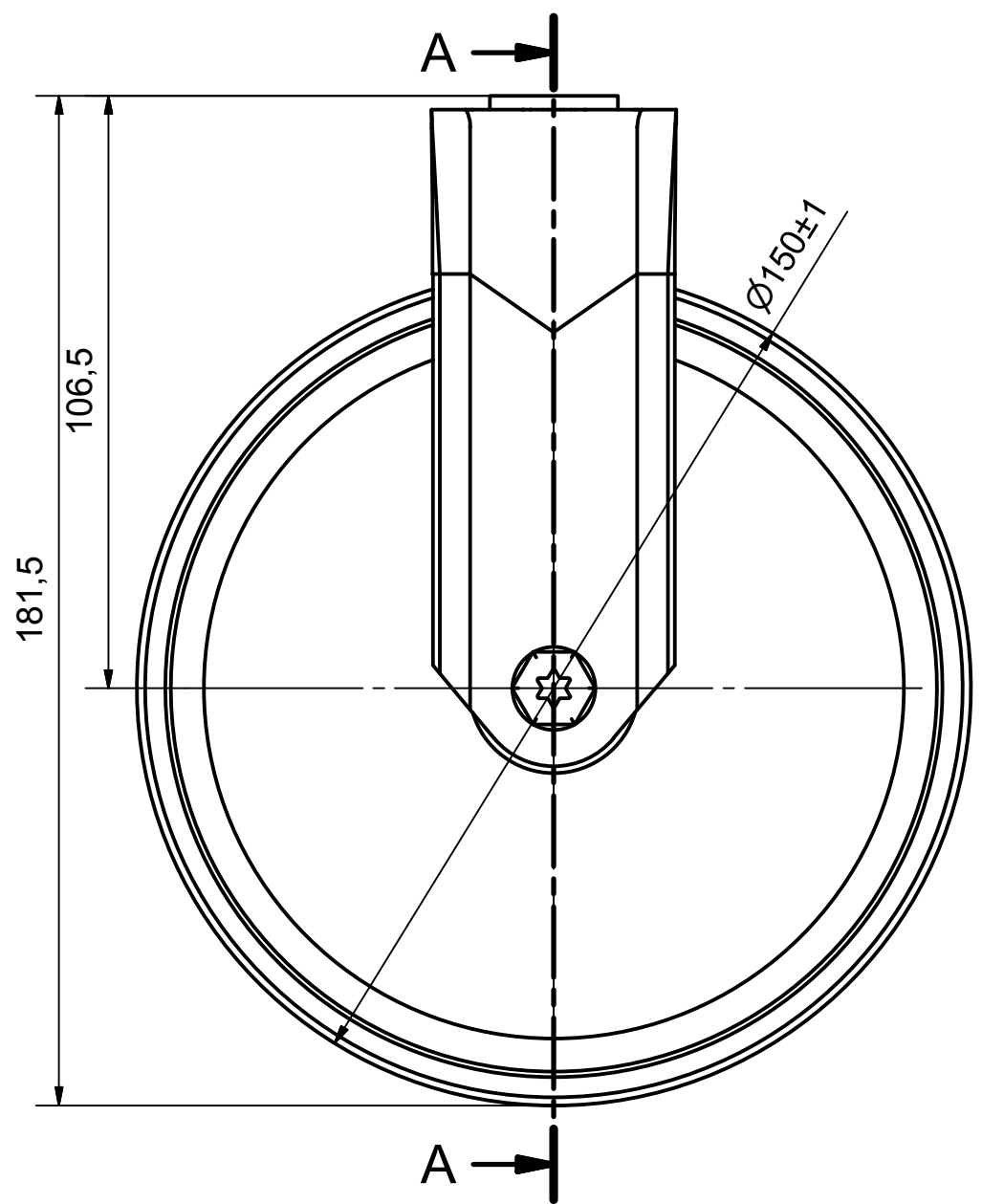
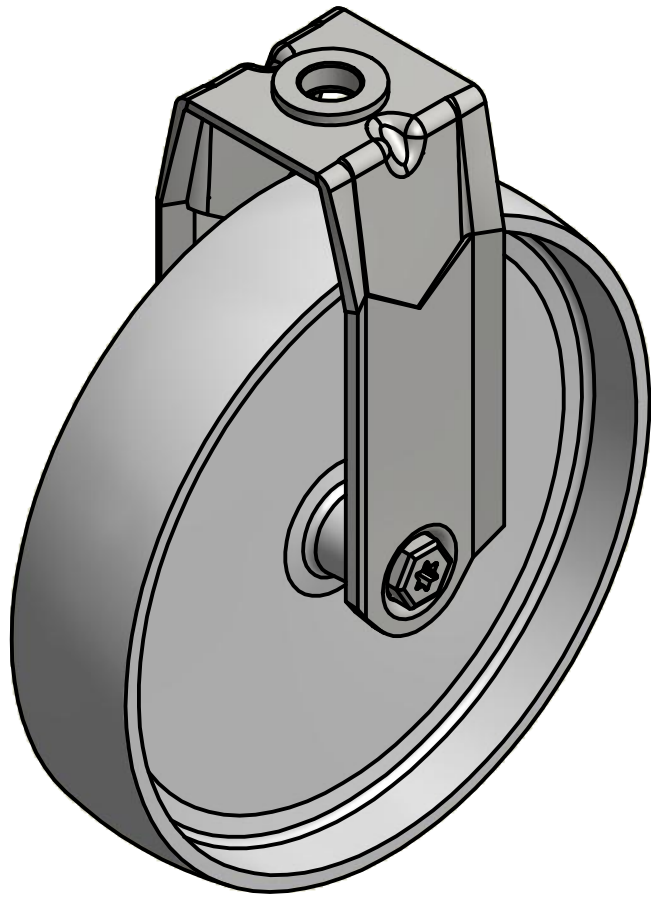
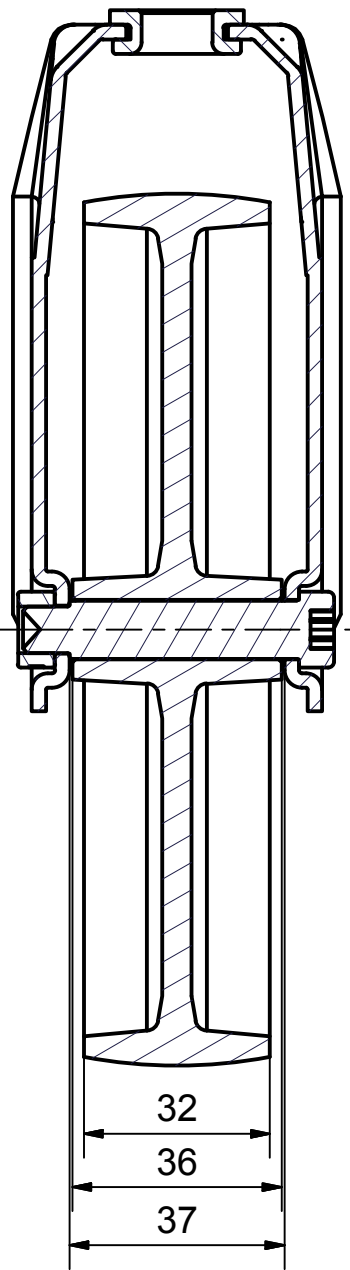


6 5 4 3 2 1

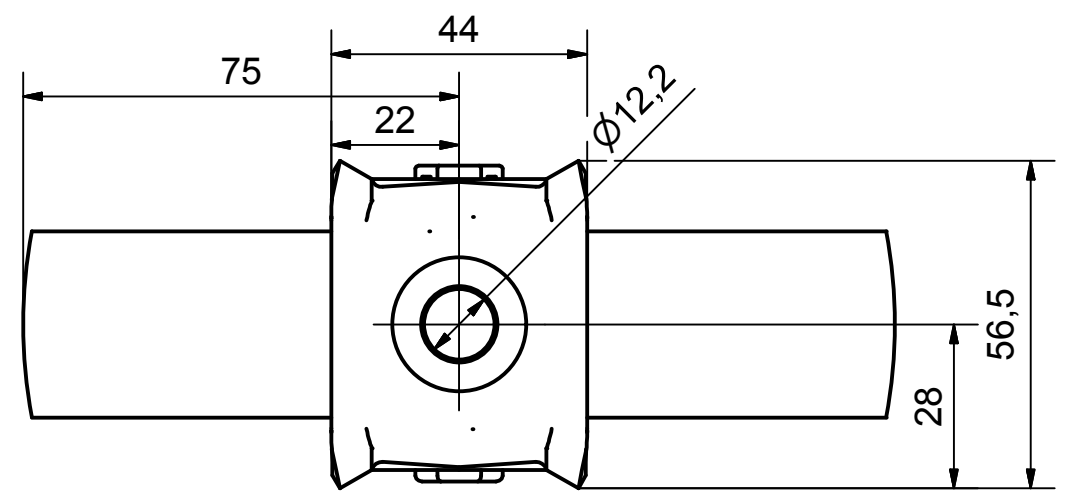
D  
C  
B  
A




SECTION A-A'



Load Capacity: 100kg, for speed up to 4km/h  
(According to EN 12530)



 PRODUCTION OF INSTITUTIONAL CASTORS AND WHEELS THESSALONIKI - GREECE	PERMIS. VARIATIONS:		PART No:
	SURFACE FINISH :		UNF . DIM.:
This drawing is the property of RODA S.A. It must neither be reproduced in any manner nor shall it be submitted to third parties or competitors without our written consent	DESIGNED	1/8/2013	E.POLIMEROPOULOU
	DRAWN	1/8/2013	E.POLIMEROPOULOU
	CHECKED	1/8/2013	H.SAATSOGLOU
PART NAME : <b>S.150.NA.HF</b>			PART DESCRIPTION : <b>Fixed castor, steel support, bolt hole fitting (12,2mm).Wheel 150x32mm,white polyamide plain bearing</b>
C3			
B2			
A1			
A/A			
QUANTITY		SCALE	DRAWING NUMBER :
REPLACE :			SHEET No.
GEN. DWG. NUM. :			

6 5 4 3 2 1