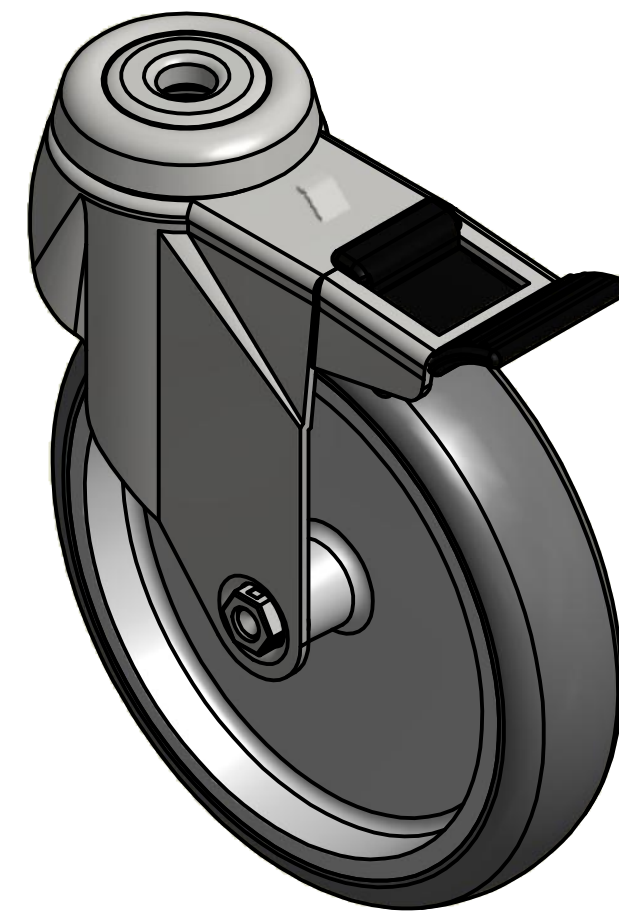
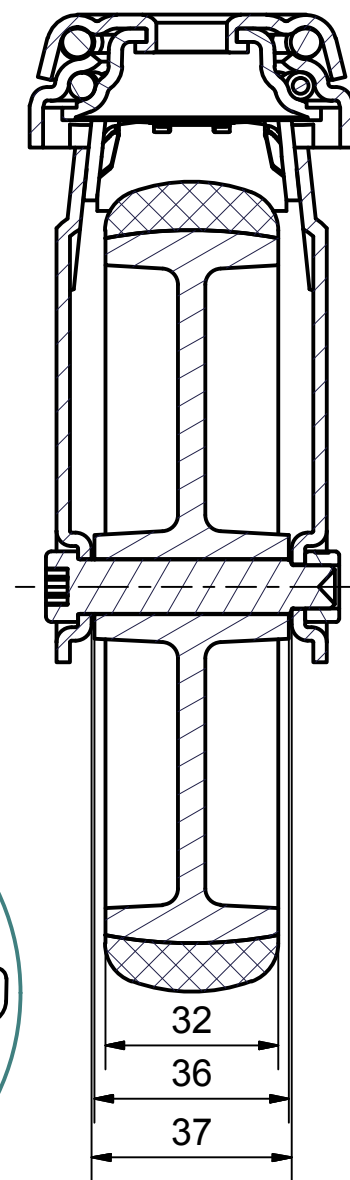
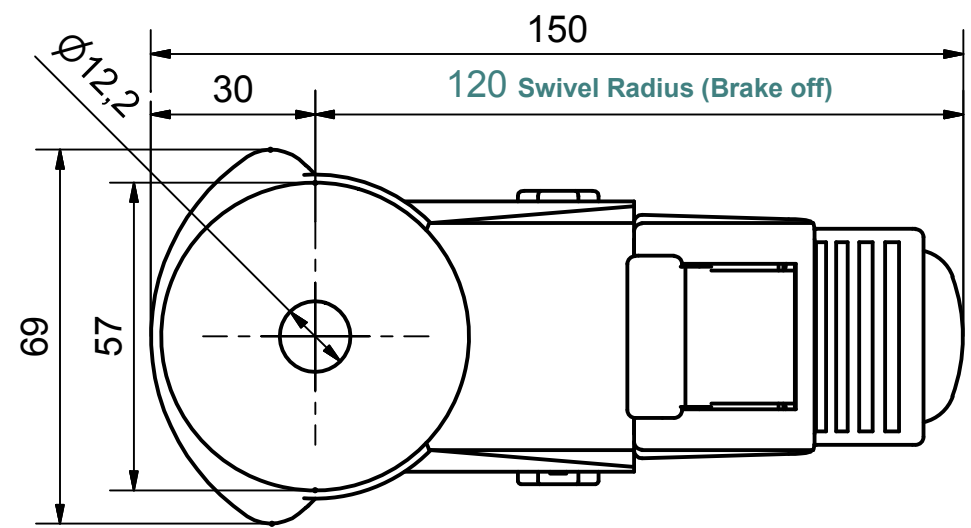



DETAIL i (Brake on)

SECTION A-A'



Load Capacity: 100kg, for speed up to 4km/h
(According to EN 12530)



	PRODUCTION OF INSTITUTIONAL CASTORS AND WHEELS THESSALONIKI - GREECE		PERMIS. VARIATIONS:	PART No:
	This drawing is the property of RODA S.A. It must neither be reproduced in any manner nor shall it be submitted to third parties or competitors without our written consent		SURFACE FINISH :	UNF . DIM.:
DESIGNED 1/8/2013 E.POLIMEROPOULOU DRAWN 1/8/2013 E.POLIMEROPOULOU CHECKED 1/8/2013 H.SAATSOGLOU	QUANTITY REPLACE :	SCALE	PART NAME : S.150.TPA.HSBK	
C3 B2 A1 A/A	DRAWING NUMBER :	SHEET No.	PART DESCRIPTION : Swivel+brake castor, steel support, bolt hole fitting (12,2mm).Wheel 150x32mm,non marking grey rubber (82shA) plain bearing	
GEN. DWG. NUM. :			DRAWING NUMBER :	