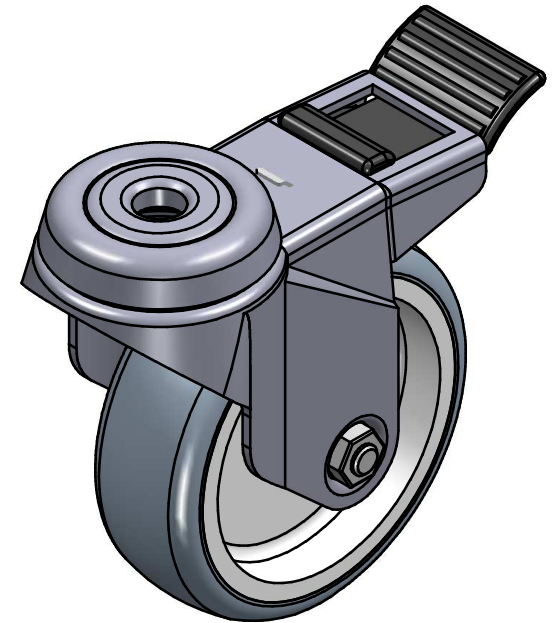
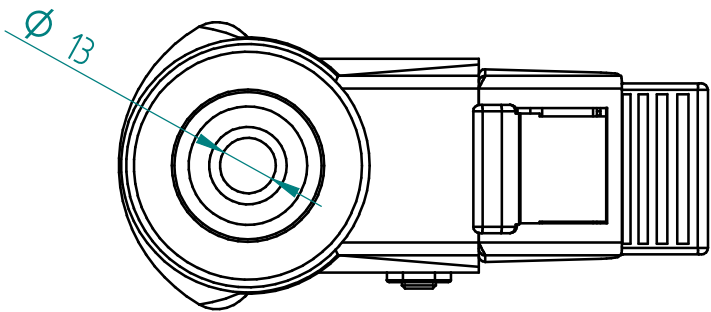
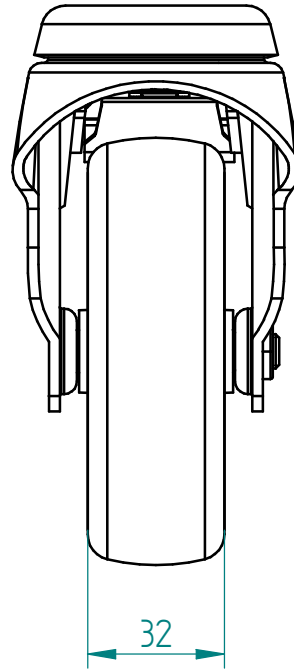
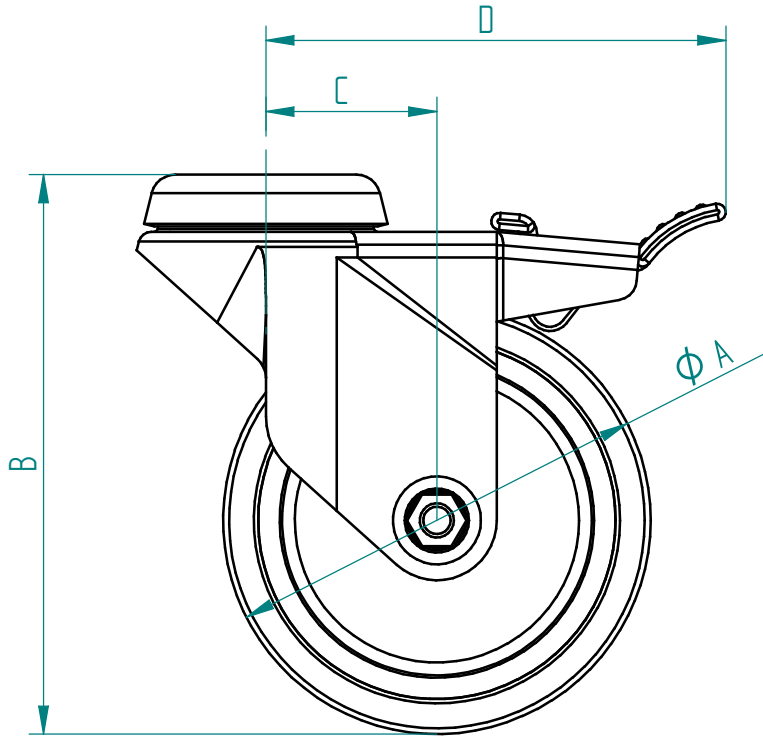



M Series			
A (mm)	B (mm)	C (mm)	D (mm)
75	109	28	95
100	131,5	40	107
125	156,5	40	107
150	181,5	45	112



	PRODUCTION OF INSTITUTIONAL CATRORS AND WHEELS THESSALONIKI - GREECE		PERMIS. VARIATIONS:	PART No.:
	This drawing is the property of RODA S.A. It must neither be reproduced in any manner nor shall it be submitted to third parties or competitors without our written consent		SURFACE FINISH:	UNF. DIM.:
DESIGNED 22/7/2010 ALISANDRATOS S. DRAWN 22/7/2010 ALISANDRATOS S. CHECKED 22/7/2010		MATERIAL:		PART DESCRIPTION :
C3 B2 A1 A/A		QUANTITY SCALE REPLACE		S Series HSBK:Bolt Hole Brake DRAWING SHEET No. GEN. DWG. NUM.: